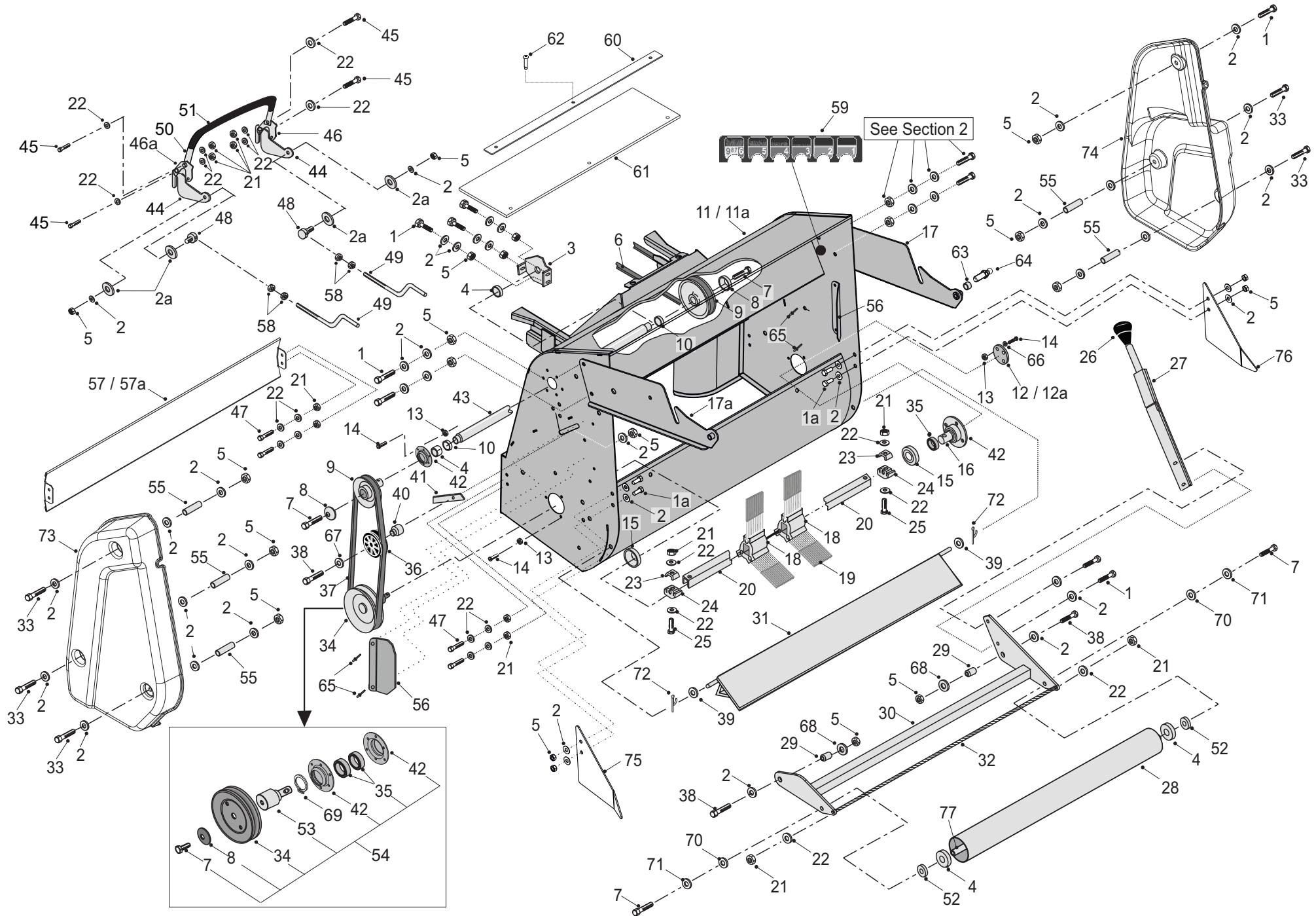


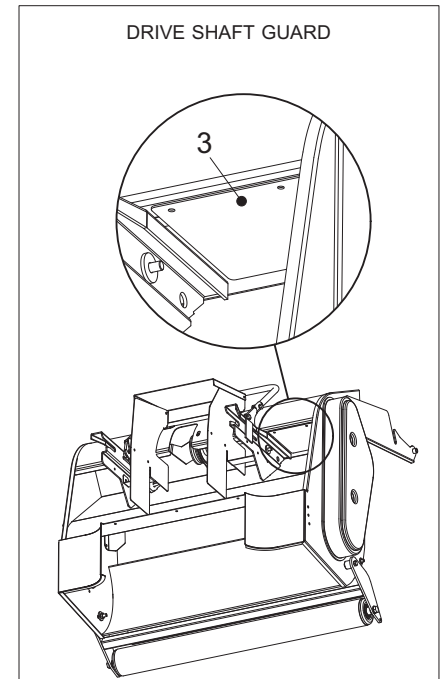
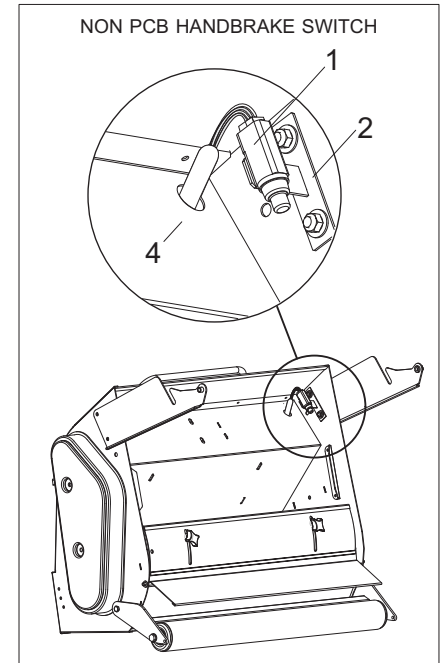
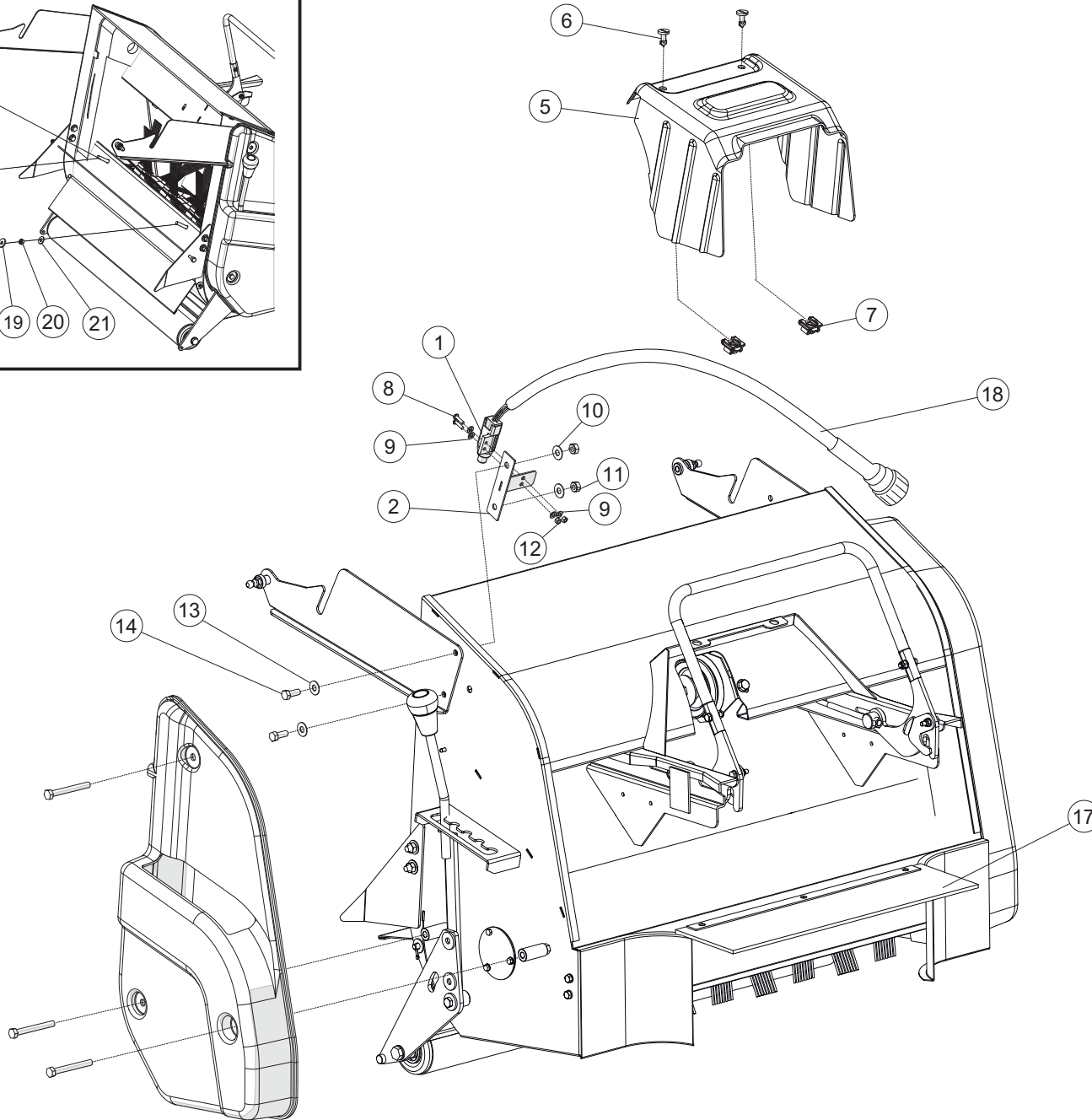
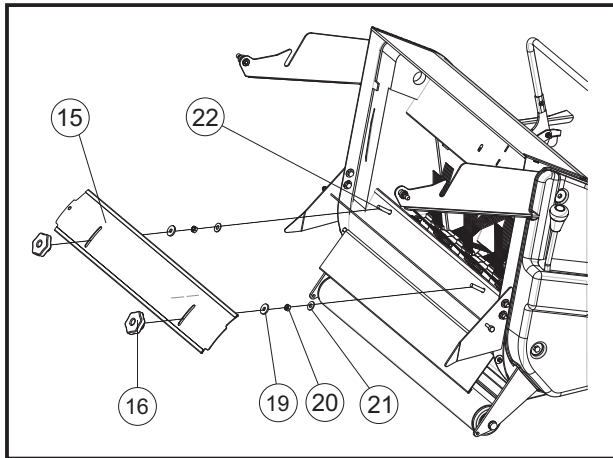
# Mk4 TRACTOR - POWERED GRASS COLLECTOR



## Mk4 TRACTOR - POWERED GRASS COLLECTOR

	Description	Part Number
1	Bolt M8 x 20mm	02825900
1a	M8 x 20 Roofing Bolt	01886200
2	Washer M8	088003700
2a	Nylon Washer (Friction Plate)	14850500
3	Idler Bearing Housing Tr Plastic Sweeper Lid	307025600
4	Bearing PTO Housing	10811600
5	Nut M8	04920100
6	Belt A51	228000200
7	M10 x 25mm Set Screw zinc plated	028002300
8	Dome Washer 1.34" o.d. x 3/8" x 18" dome	08819900
9	3" Pulley (Non - Keyed)	32727600
10	PTO End Spacer	31306200
11	C-Series Sweeper 2013 Main Body (RED)	327816170
11a	C-Series Sweeper 2013 Main Body (ORANGE)	327816159
12	Sweeper Bearing Cap (RED)	30117570
12a	Sweeper Bearing Cap (ORANGE)	30117559
13	M5 Nyloc Nut	04885900
14	M5 x16mm Pozi Pan Head zinc plated	02940500
15	Sweeper Slinger	32121800
16	Brush Stock Spindle - Short	31323900
17	LH Bag Ear	327845100
17a	RH Bag Ear	327845200
18	Bristle Boss	14833000
19	Sweeper Bristle Webbed	14936301
20	Brush Stock Tube Non Plated	17400202
21	Nut M6 Nyloc	04920500
22	M6 Washer	089422200
23	Brush Drive Moulding - Small	14834100
24	Brush Drive Moulding - Large	14832900
25	Bolt M6x50mm Hex Head Bright Zinc Plate	019480500
26	Lever Knob	14804800
27	A & D Series Sweeper Roller Height Handle	327366700
28	C-Series Roller Assembly (includes items 4 and 77)	32731900
29	C-Series Roller Plate Bush	183024300
30	Roller Carrier Welded Assembly	327172401
31	C-Series 2003 Sweeper Flap Plate	327016500
32	C-Series Sweeper Roller Scraper Cable	528004400
33	Bolt M8 x 65mm	028662700
34	Pulley 5" PGC Brush drive (from December 2002)	209044100
35	Bearing 6203ZZ	10845500
36	TX PTO Jockey Pulley Plastic (Capitol)	20811500
37	Belt Sweeper 'V' Type	22832800
38	Bolt M8x50mm	018001800
39	M8 Washer	08819501
40	Sweeper Jockey Spacer	31350400
41	Bearing Shield	30121900
42	Bearing Housing 17mm	27106600
43	98 Model C-Series PGC Idler Shaft	183005700
44	2002 PGC Locking Handle	307024500
45	Set Screw M6x16mm	028662300
46	L.H. PGC Locking Lever	30149800
46a	R.H. PGC Locking Lever	30150300
47	Bolt M6x20mm	018000300
48	PGC Belt Tension Adjust Trunnion	183003800
49	PGC Belt Tension Rod Adjust Rod	313003500
50	2002 PGC Handle Locking Plate	178966301
51	Sweeper Black Grip 22" x 0.5 o.d. x 0.2 wall	149496600
52	Sweeper Roller Spacer	31330002
53	Brush Stock Spindle PGC (from December 2002)	183027900
54	PGC Pulley Bearing Kit PGC 2002	401001500
55	Belt Guard Spacer	178966100
56	Sweeper Deflector	307030100
57	Adjustable Front Throw plate (RED)	307247670
57a	Adjustable Front Throw plate (ORANGE)	307247659
58	M8 Half Nut	04822300
59	Sweeper Height Decal	359553800
60	Rubber Fixing Strip	541113000
61	PGC Rubber Flap	148005200
62	Pop Rivet 4.8 x 16mm	12860100
63	Ball Joint Spacer	183025600
64	Ball End Shaft	183010300
65	4.8 x 10mm Pop Rivet	12824400
66	M5 Washer	08911500
67	Sweeper Jockey Cap Boss	31351100
68	M8 x 25 x 3mm Washer	089418600
69	17mm Circlip	07914800
70	M10 Washer	088002400
71	M10 Spring Washer	088002900
72	Split Pin	06855200
73	PGC Left Hand Plastic Cover	149591900
74	PGC Right Hand Plastic Cover	149594000
75	Left Grass Deflector Plate	542020000
76	Right Grass Deflector Plate	542020100
77	Roller Shaft	183024400

# Mk4 TRACTOR - POWERED GRASS COLLECTOR



## Mk4 TRACTOR - POWERED GRASS COLLECTOR

	<b>Description</b>	<b>Part Number</b>
1	Plunger Switch	449880800
2	PGC Switch Mtg Bracket	542031600
3	PGC Drive Shaft Guard	542008300
4	PGC Top Guard Lid	542008400
5	Belt Guard	149593900
6	Stud, 1/4 turn slot Hd Dzus	148996800
7	DZUS DART Receptacle	149499900
8	M4 x 16mm pozi pan set screw	029427700
9	M4 Form A Washer	08911500
10	M8 x 21 x 1.6 Washer	088003700
11	M8 Nyloc Nut	04920100
12	M4 Nyloc Nut	04826400
13	M8 Plated Form C Washer	088003700
14	M8 x 25 Plated Hex Bolt	02826000
15	DEFLECTOR, PLATE GRASS	307026900
16	lobed knob	149589600
17	PGC SWEEPER AIR CHUTE RUBBER	148005200
18	Cable Plug	449881900
19	Metric Washer-Flat(GH)-5	08819800
20	M8 Hex Full Nut	04852100
21	M8 Washer Form C Steel Zinc Plate	088003700
22	M8 x 40 Zinc Plated Roofing Bolt	018001700