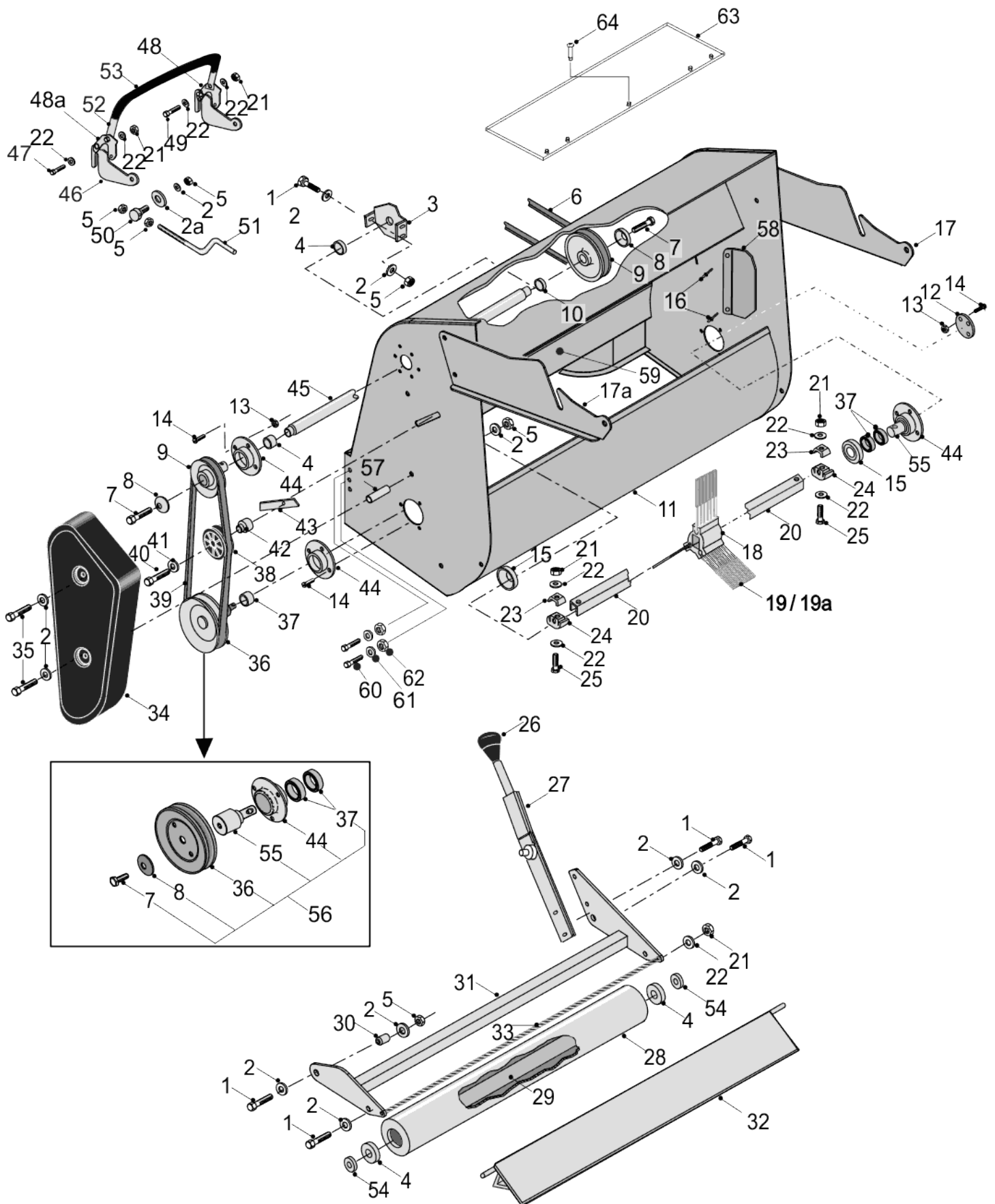


C330 & S130 MODEL 2008 POWERED GRASS COLLECTOR



1	018001200	NEW PART NO: 01902600 ROOFING BOLT
2A	088002300	NYLON WASHER (FRICTION PLATE)
2	08819501	NEW PART NO: 08819500 WASHER
3	307025600	BRACKET
4	10811600	BEARING (PTO HOUSING)
5	04920100	M8 NYLOC NUT
6	22923400	NEW PART NO: 228001200 BELT
7	028002300	M10 X 25 S/SCREW BZP
8	08819900	DOME WASHER 1.3/4OD X 3/8ID X 1/8DOME
9	32727600	3" PULLEY (NON KEYED)
10	31306200	PTO END SPACER
11	327845700	OBSOLETE
12	30117500	SWEEPER BEARING CAP
13	04885900	M5 NYLOC NUT
14	02940500	M5 X 16MM POZI PAN HEAD ZINC PLATED
15	32121800	SLINGER
16	31323900	BRUSH STOCK SPINDLE (SHORT)
17	327845100	2008 BAG EAR WELD ASSY
17A	327845200	2008 BAG EAR WELD ASSY
18	14833000	BRISTLE BOSS
19A	14898101	YELLOW SWEEPER BRISTLES NON WEB - 10/03
19	14936301	WEBBED YELLOW PGC BRISTLE
20	174503500	C330 & S130 SWEEPER BRUSH STOCK
21	04920500	NUT M6 NYLOC
22	08827800	NEW PART NO: 08874300 WASHER
23	14834100	BRUSH DRIVE MOULDING SMALL
24	14832900	BRUSH DRIVE MOULDING LARGE
25	018004000	M6 X 45MM HEX HEAD - BRIGHT ZINC PLATE
26	14804800	LEVER KNOB
27	327171800	SWEEP ROLLER HEIGHT HANDLE ASSY

28	327845400	C330 ROLLER (MINI)
29	183838400	C130/S130 SWEEPER ROLLER INTERNAL SHAFT
30	31329200	C-SERIES ROLLER PLATE BUSH
31	327845500	C130 & S130 SWEEPER ROLLER CARRIER WELED
32	327845300	C130/S130 SWEEPER FLAP PLATE ASSEMBLY
33	52899200	SMALL SWEEPER ROLLER SCRAPER CABLE
34	14848600	NEW PART NO: 148005400 BELT GUARD
35	028662700	BOLT M8X65MM
36	209044200	NEW PART NO: 209044100 PULLEY
36	327002600	SWEEPER PULLEY & SHAFT
37	10845500	BEARING 6203ZZ
38	20811500	PTO JOCKEY PULLEY (CAPITOL)
39	22832800	BELT SWEEPER V-TYPE A36
40	018001800	BOLT M8 X 50MM
41	08819501	NEW PART NO: 08819500 WASHER
42	31350400	SWEEPER JOCKEY SPACER
43	30121900	BEARING SHIELD
44	27106601	BEARING HOUSING 17MM
45	183838500	C130/S130 SWEEPER IDLER SHAFT
46	307177800	UNIVERSAL SWEEPER LOCKING PLATE APRIL 01
47	028662300	M6X16MM SET SCREW
48	30149800	L/H PGC LEVER LOCK
48A	30150300	R/H PGC LEVER LOCK
49	018000300	BOLT M6 X 20MM (VAC) (AF037868)
50	183003800	PGC BELT TENSION ADJUST TRUNNION
51	313003500	PGC BELT TENSION ADJUST ROD
52	178966300	2002 PGC LOCKING HANDLE
53	149496600	SWEEPER BLACK GRIP 22"LX0.5"IDX0.2"W
54	174003600	31350701 NEW PART NO: 31330002 ROLLER SHAFT SPACER
55	183027900	NEW PART NO: 189497400 BRUSH STOCK SPINDLE

56	401001500	PULLEY BEARING KIT PGC 2002
57	31337600	SCUFF WHEEL HUB/ BELT GUARD SPACER
58	307030100	C SERIES SWEEPER 2000 SIDE PANEL G/DEFLT
59	307247600	ADJUSTABLE C SERIES THROWPLATE - DEC 05
60	018000300	BOLT M6 X 20MM (VAC) (AF037868)
61	08874300	1/4 T4 HP WASHER
62	04811000	OBSOLETE
63	14869801	OBSOLETE
64	12860100	RIVET 4.8 X 16MM ALLOY POP 1031-4816