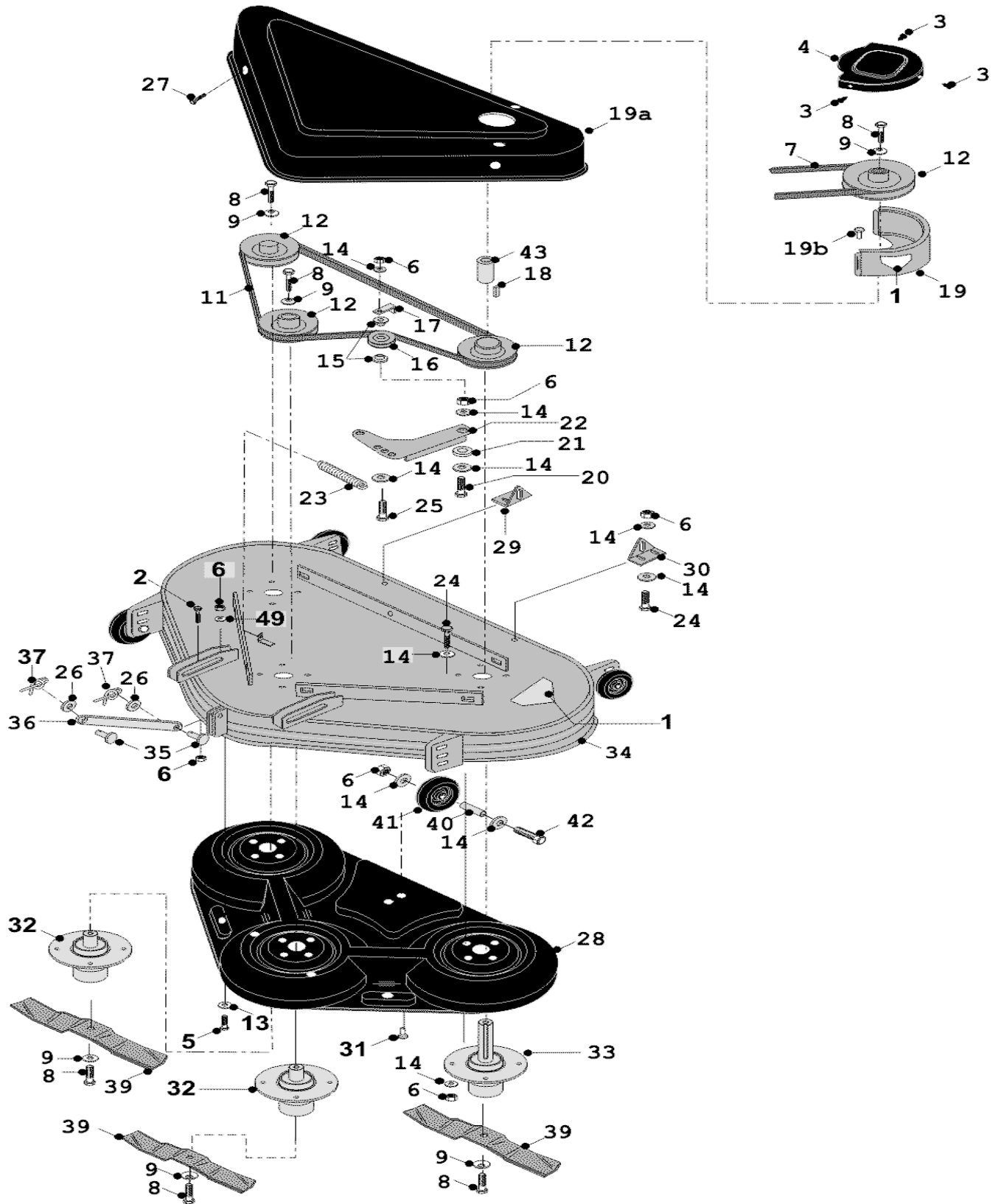


COUNTAX 38" MULCHER CUTTING DECK (FROM 1998)



1	35803300	RIDER DECK DANGER DECAL
2	01886200	NEW PART NO: 018001500 ROOFING BOLT
3	4958	FIRTREE FASTENER
4	149497400	UNIVERSAL DECK PULLEY COVER 2001
5	01916900	NEW PART NO: 02826000 BOLT
6	04850600	NEW PART NO: 04920100 M8 NYLOC NUT
7	22940200	B55 BELT DAYCO SUPER 2
8	018002100	NEW PART NO: 02886000 SCREW
9	08819900	DOME WASHER 1.3/4OD X 3/8ID X 1/8 DOME
11	228000500	BELT A72 SUPER 2 MULCHER APPLICATION
12	20869501	NEW PART NO: 20869502 5" INTERNAL PULLEY/KEYWAY
13	088000100	M8 SPRING WASHER
14	089418600	WASHER M8 X 25 X 3 UNPLATED
15	18831600	SPACER JOCKEY WHEEL
16	20811500	PTO JOCKEY PULLEY (CAPITOL)
17	27105800	BELT RETAINING BRACKET
18	09830600	NEW PART NO: 09921900 ROUNDED KEY
19B	12949400	RIVET POP 4.8 X 6MM
19A	148002700	NEW PART NO: 148002701 38" MULCH DECK LID
19	327180000	36-44 MULCH DECK DRIVE PULLEY GUARD, 02
20	01803200	OBSOLETE
21	31328900	NEW PART NO: 183853800 JOCKEY PIVOT SPACER
22	32734600	MULCH DECK BELT TENSION PLATE
23	25906200	42" DECK TENSION SPRING
24	01916900	NEW PART NO: 02826000 BOLT
25	02941000	BOLT M8 X 45MM (VAC)
26	088002400	WASHER 10.8ID X 20.7OD X 2MM THICK
27	019479500	M5 X 16MM FLANG BUTT HD SCKT DRIVE SCREW
28	148002600	MULCHER DECK LINER INNER 38"
29	30121300	REAR DECK HANGING BRACKET R/H
30	30121400	REAR DECK HANGER BRACKET L/H
31	02825900	BOLT, M8 X 20MM
32	40503704	NEW PART NO: 40503607 BEARING HOUSING ASSY SHORT
33	40503504	NEW PART NO: 40503507 BEARING HOUSING ASSY LONG
34	327000101	2002 MULCH 38" DECK SHELL
35	31338200	DECK PUSH ROD PIN
36	29203700	MULCH DECK TENSION BAR 38"
37	11836700	RUE CLIP

39	16937900	15" L.H MULCH BLADE
40	31337600	SCUFF WHEEL HUB/ BELT GUARD SPACER
41	149495800	ANTISCALP WHEEL-MARCH 2000
42	01850700	NEW PART NO: 028663200 HEX BOLT
43	31328301	DECK DRIVE PULLEY SPACER

