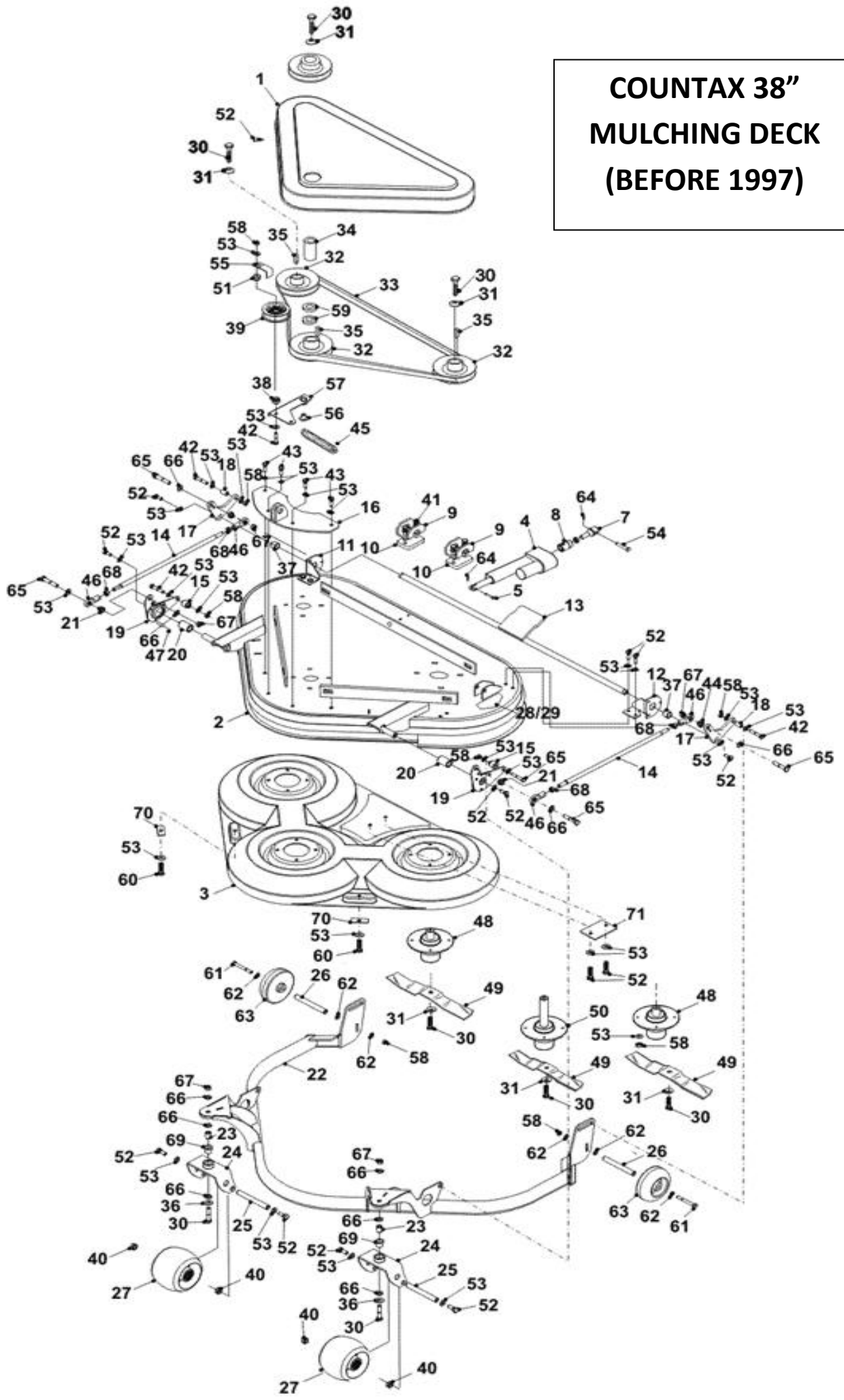


**COUNTAX 38"
MULCHING DECK
(BEFORE 1997)**



1	149545900	X SERIES 38 MULCH DECK LID COVER
2	328963100	X/W 38" MULCH DECK WELDED ASSEMBLY
3	148002600	MULCHER DECK LINER INNER 38"
4	449664100	X SERIES HIWIN ACTUATOR
5	189504400	E SWEEPER ACTUATOR PIN
7	187189000	WW DECK LIFT ACTUATOR SCREW
8	188718900	WW ACTUATOR ATTACHMENT BODY S&T
9	307252502	X/W SERIES DECK 17MM SHAFT CLAMP
10	307252800	X/W SERIES SHAFT CLAMP 8MM PACKER SPACER
11	30837100	X & W SERIES RH REAR BEARING BRACKET
12	30837200	X & W SERIES LH REAR BEARING BRACKET
13	32954900	X & W SERIES 36" HGM SHAFT WELDED ASSY
14	189509900	X/W 38 MULCH LINK ROD
15	18317401	NEW PART NO: 18317400 DECK HEIGHT PIVOT BOSS
16	328963800	X/W SERIES 38" PICKUP PLATE WELDED ASSY
17	307250200	38 / 44" PIVOT LINK PLATE
18	189502700	SPACER 12.7OD/ 10.2 ID / 9MM LONG
19	307250000	NEW PART NO: 307250001 38"/44" FRONT PIVOT PLATE
20	189511500	X/W SERIES DECK FRONT PIVOT SPACER
21	189513700	X/W SERIES 15MM ROSE JOINT SPACER
22	327365800	X/W 38 MULCH FRAME
23	189510800	X/W SERIES CASTER PIVOT SPACER
24	328962200	DECK CASTER BRACKET WELDED ASSEMBLY
25	189510900	X/W SERIES CASTER AXLE
26	31337600	SCUFF WHEEL HUB/ BELT GUARD SPACER
27	148019400	FRONT DECK CASTOR WHEELS
28	35949000	MULCHER DECK HEIGHT DECAL
30	02886000	M10 X 30 S/SCREW BZP
31	08819900	DOME WASHER 1.3/4OD X 3/8ID X 1/8DOME
32	20869502	5"INTERNAL PULLEY/KEYWAY
33	228000500	BELT A72 SUPER 2 MULCHER APPLICATION
34	31328301	DECK DRIVE PULLEY SPACER
35	09830600	NEW PART NO: 09921900 ROUNDED KEY
36	088004500	M10 X 24 X 2 TL WASHER
37	174003600	31350701 NEW PART NO: 31330002 ROLLER SHAFT SPACER

38	18831600	SPACER JOCKEY WHEEL
39	20811500	PTO JOCKEY PULLEY (CAPITOL)
40	189511000	X/W SERIES CASTER WHEEL SPACER
41	02941200	M6 X 20 SOCKET BUTTON HEAD BZP SET SCREW
42	02941000	BOLT M8 X 45MM (VAC)
43	02826000	BOLT M8 X 25MM
44	189505300	10MM ROSE JOINT SPACER
45	25906200	42" DECK TENSION SPRING
46	01820800	BOLT 5/16" UNF X 1 3/4"
47	12868600	NEW PART NO: 128000100 RIVIT
48	40503704	NEW PART NO: 40503607 BEARING HOUSING ASSY SHORT
49	16937900	15" L.H MULCH BLADE
50	408020600	X SERIES FRONT DECK BEARING ASSY
51	31351100	SWEEPER JOCKEY CAP
52	018001500	ROOFING BOLT M8 X 20MM
53	088000100	M8 SPRING WASHER
54	328962400	REVERSED 38" TENSION PLATE WELDED ASSY
55	27105800	BELT RETAINING BRACKET
56	183012500	44" MULCH/COMBI JOCKEY PLATE PIVOT
58	04920100	M8 NYLOC NUT
59	183023100	SPACER 8 X 38.1 X 25
60	02825900	BOLT, M8 X 20MM
61	028663200	M8X70MM HEX BOLT ZINC & CLEAR PASSIVATED
62	089418600	WASHER M8 X 25 X 3 UNPLATED
63	149495800	ANTISCALP WHEEL - MARCH 2000
64	06823300	SPLIT PIN 1 X 1/8 (SNOWBLADE)
65	018002300	M10 X 50 HEX HEAD BOLT
66	088002400	WASHER 10.8ID X 20.7OD X 2MM THICK
67	4886100	OBSOLETE
68	04872100	M10 LOCKNUT
69	18341000	RIDER SINTERED BUSH 16.64LX15.88BX2.36
70	301127500	38" MULCHER SIDE FIXING LINER BRACKET
71	301127400	38" MULCHER CENTRAL FIXING LINER BRACKET

