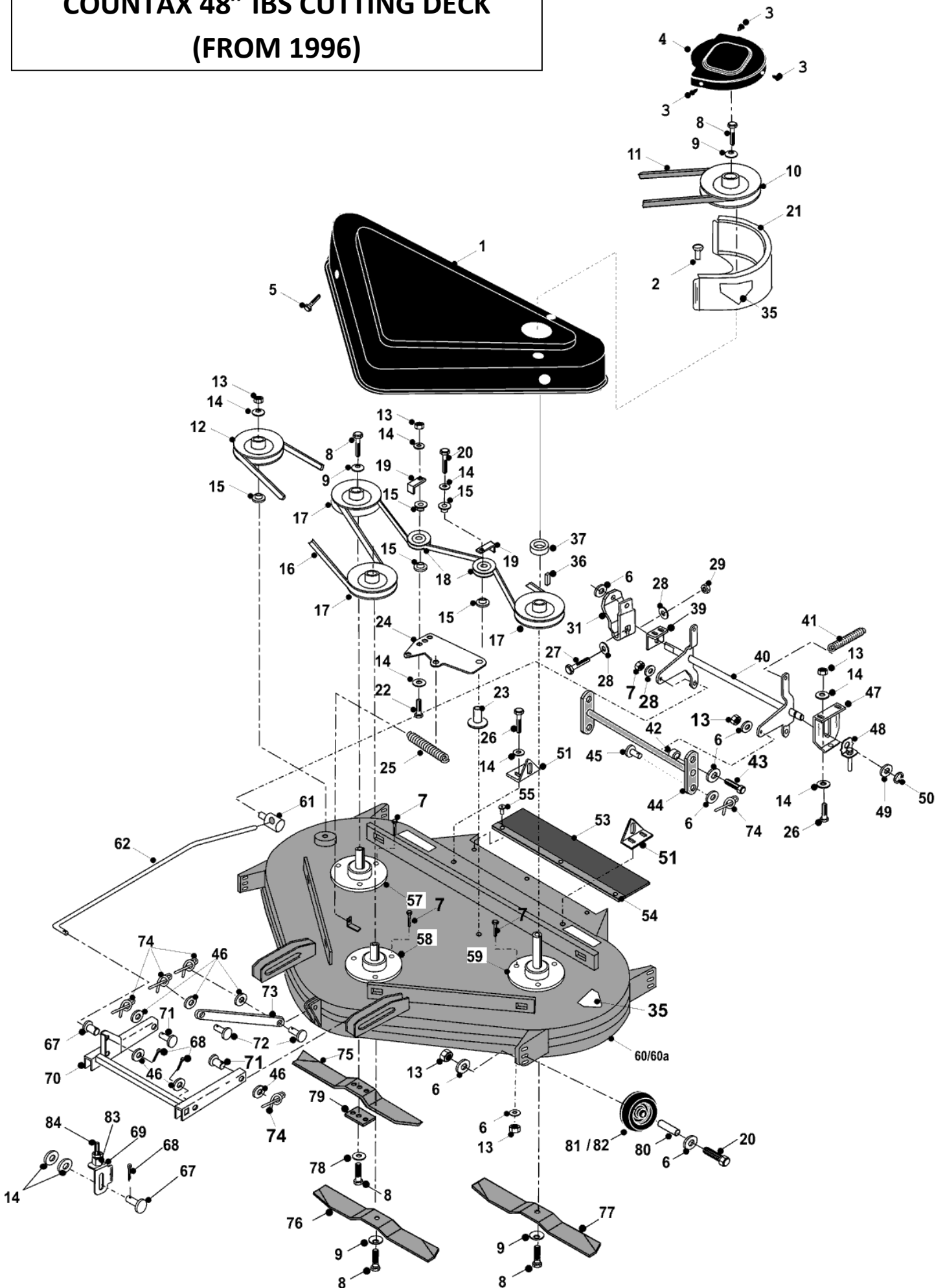


# COUNTAX 48" IBS CUTTING DECK (FROM 1996)



|    |           |           |  |
|----|-----------|-----------|--|
|    | 1         | 148002502 | 48" DECK LID COVER REPLACING<br>148002500  |
| 2  | 12949400  |           | RIVET POP 4.8 X 6MM                        |
| 3  | 4958      |           | FIRTREE FASTENER                           |
| 4  | 149497400 |           | UNIVERSAL DECK PULLEY COVER 2001           |
| 5  | 028001500 |           | SELF DRILLING SCREW                        |
| 6  | 089418600 |           | WASHER M8 X 25 X 3 UNPLATED                |
| 7  | 028001000 |           | M8 X 16 M/SCREW                            |
| 8  | 018002100 |           | NEW PART NO: 02886000 SCREW                |
| 9  | 08819900  |           | DOME WASHER 1.3/4OD X 3/8ID X 1/8DOME      |
| 10 | 20870202  |           | 7" DECK DRIVE PULLEY                       |
| 11 | 22949900  |           | B59 BELT                                   |
| 12 | 20869600  |           | NEW PART NO: 209044600 DECK IDLER PULLEY   |
| 13 | 04920100  |           | M8 NYLOC NUT                               |
| 14 | 08819501  |           | NEW PART NO: 08819500 WASHER               |
| 15 | 18831600  |           | SPACER JOCKEY WHEEL                        |
| 16 | 22928800  |           | GATES BB-136 BELT                          |
| 17 | 20869502  |           | 5"INTERNAL PULLEY/KEYWAY                   |
| 18 | 20811500  |           | PTO JOCKEY PULLEY (CAPITOL)                |
| 19 | 27105800  |           | BELT RETAINING BRACKET                     |
| 20 | 01850700  |           | NEW PART NO: 028663200 HEX BOLT            |
| 21 | 327180100 |           | HGM/IBS DECK PULLEY COVER, DRIVEN          |
| 22 | 018001800 |           | BOLT M8 X 50MM                             |
| 23 | 31328900  |           | NEW PART NO: 183853800 JOCKEY PIVOT SPACER |
| 24 | 32731000  |           | BELT TENSION PLATE 96                      |
| 25 | 25906200  |           | <del>A21</del> DECK TENSION SPRING         |
| 26 | 02825900  |           | BOLT, M8 X 20MM                            |
| 27 | 018002400 |           | M10 X 55 HEX HEAD BOLT                     |
| 28 | 088002400 |           | WASHER 10.8ID X 20.7OD X 2MM THK           |
| 29 | 04886100  |           | M10 NYLOC NUT                              |
| 31 | 301122401 |           | C SERIES DECK LIFT ARM, 20" WHEEL, 2000    |
| 35 | 35803300  |           | RIDER DECK DANGER DECAL                    |
| 36 | 098450100 |           | 09830600 NEW PART NO: 09921900 ROUNDED KEY |

|    |           |   |
|----|-----------|---|
| 37 | 31328301  | DECK DRIVE PULLEY SPACER                    |
| 39 | 27102001  | NEW PART NO: 307189601 REAR DECK BRACKET    |
| 40 | 327361700 | 2003 REAR DECK HANGING BRKT,C-SER NON HE    |
| 40 | 328954100 | C SERIES HE REAR DECK LIFT CRADLE, 2003     |
| 41 | 25908801  | NEW PART NO: 25908802 SWEEPER LIFT SPRING   |
| 42 | 31302700  | NEW PART NO: 183016900 TRACK ROD END SPACER |
| 43 | 018005700 | HX HD BOLT,ZINK PLT & CLEAR PASSIVATED      |
| 44 | 328961100 | REAR DECK LIFT CRADLE C SERIES 2005         |
| 45 | 31337200  | DECK LIFT PIN (REAR)                        |
| 46 | 088003600 | WASHER - M12 X 24 X 1.6                     |
| 47 | 301143700 | HEX ADJUSTER DECK LEVEL BRACKET             |
| 48 | 327029300 | REAR DECK CRADLE ADJUSTER BRACKET           |
| 49 | 08829900  | NEW PART NO: 089423700 TRANSAXLE WASHER     |
| 50 | 078000800 | E CLIP M12 PLATED                           |
| 51 | 27102001  | NEW PART NO: 307189601 REAR DECK BRACKET    |
| 53 | 14868900  | RUBBER FLAP (T/AXLE DEFLECTOR)              |
| 54 | 30145100  | DECK FLAP PLATE                             |
| 55 | 12860100  | RIVET 4.8 X 16MM ALLOY POP 1031-4816        |
| 57 | 40503604  | NEW PART NO: 40503607 BEARING HOUSING SHORT |
| 58 | 40503604  | NEW PART NO: 40503607 BEARING HOUSING SHORT |
| 59 | 40503504  | NEW PART NO: 40503507 BEARING HOUSING LONG  |
| 60 | 32732500  | 48" DECK SHELL                              |
| 61 | 189497500 | 2002 TRACTOR DECK LEVEL TRUNION             |
| 62 | 18805900  | HEIGHT ADJUSTER ROD                         |
| 67 | 31339400  | NEW PART NO: 31339401 DECK SWING LIFT PIN   |
| 68 | 07823300  | SPLIT PIN 1/8 X 1                           |
| 69 | 27115100  | DECK ADJUSTMENT PLATE                       |
| 70 | 32703701  | DECK CARRY CRADLE ASSEMBLY FRONT            |
| 71 | 31336800  | DECK LIFT PIN (FRONT)                       |
| 72 | 31338200  | DECK PUSH ROD PIN                           |
| 73 | 29203800  | 48" DECK BAR                                |
| 74 | 11836700  | RUE CLIP                                    |
| 75 | 16929000  | 17.5" R H BLADE                             |

|    |           |   |
|----|-----------|---|
| 75 | 40505500  | 48" BLADE KIT                             |
| 76 | 16928900  | 17.5" LEFT HAND BLADE 1 HOLE              |
| 76 | 40505500  | 48" BLADE KIT                             |
| 77 | 16928900  | 17.5" LEFT HAND BLADE 1 HOLE              |
| 77 | 40505500  | 48" BLADE KIT                             |
| 78 | 088004000 | M10 INTERNAL SHAKEPROOF WASHER            |
| 79 | 27111200  | DECK PAN TAB WASHER                       |
| 80 | 31337600  | SCUFF WHEEL HUB/ BELT GUARD SPACER        |
| 81 | 19905500  | ANTI SCALP WHEEL 1/2" BORE                |
| 82 | 149495800 | ANTISCALP WHEEL-MARCH 2000                |
| 83 | 189501801 | NEW PART NO: 189501800 DECK LEVEL HEX NUT |
| 84 | 018006600 | M10 X 60 HEX HD M/SCREW UNPLATED          |

