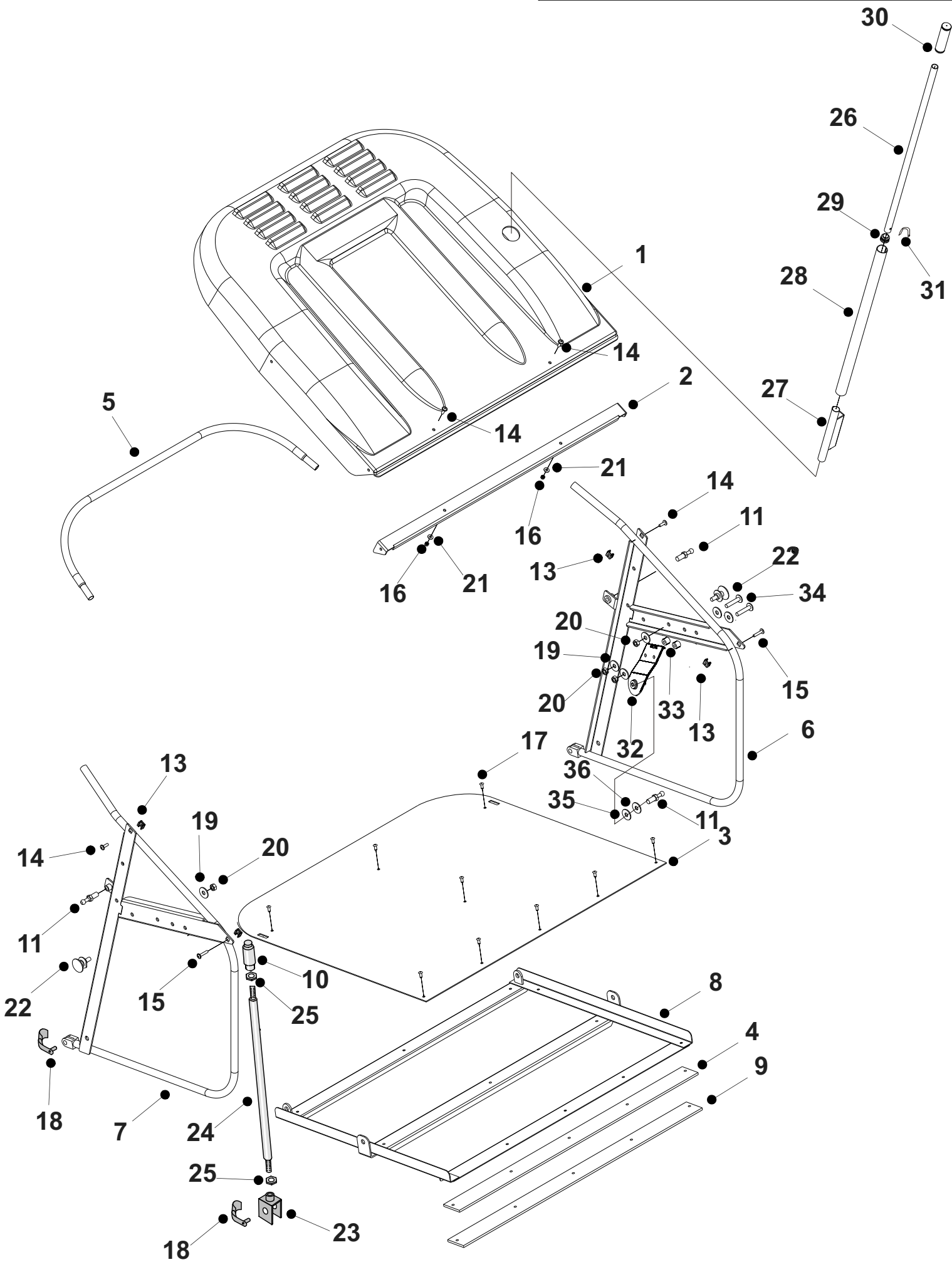


**C-SERIES TRACTOR MK3
PGC COLLECTOR NET 2009**



**C-SERIES MK3 TRACTOR
POWERED GRASS COLLECTOR NET 2009
PARTS LIST**

	PART DESCRIPTION	PART NUMBER
1	Plastic Lid	148986700
2	Top Lid Stiffener	301992300
3	Plastic Floor	In 408800200
4	Rubber Strip	14937101
5	Back tube	178974700
6	Net LH Side Frame Assembly	327812701
7	Net RH Side Frame Assembly	327812601
8	Net Floor Assembly	327812800
9	C Series Strip	30146800
10	Quick Release ball Joint	183024900
11	Quick Release Ball End Shaft	183010300
12	Net (not illustrated)	In 408800200
13	M5 Caged Nut	049382600
14	M5 x 16mm Pan head Screw	019479500
15	M5 x 25mm Pan head screw	018003700
16	M5 Nyloc Nut	04885900
17	4.8 x 16mm Pop Rivet	12860100
18	10mm Spring Pin	108000500
19	M8 Washer	08819500
20	M8 Nyloc Nut	04920100
21	M5 Washer	088002800
22	Turned Pivot	183536701
23	10mm x 1,5mm Clevis Pin	108000600
24	PGC Adjuster Link Rod	183010402
25	M10 Lock Nut	04872100
26	PGC Tipping Handle 2008	179548200
27	PGC Tipping Handle Bracket Assembly	327814701
28	PGC Tipping Handle Plastic Sleeve	144000100
29	PGC Tipping Handle Bung	148987000
30	Rubber Handle Grip	148987100
31	Button Clip	118161800
32	C Series Electric Net Bracket Weld Assembly	327874700
33	C Series Electric Net Boss	183840900
34	M8 x 35mm Bolt	01935700
35	M10 Washer	088002400
36	10mm I.D. Rose Joint Spacer	189505300

Note: Kit number for Net, P Clip * plastic Floor is 408800200.

APRIL 2009