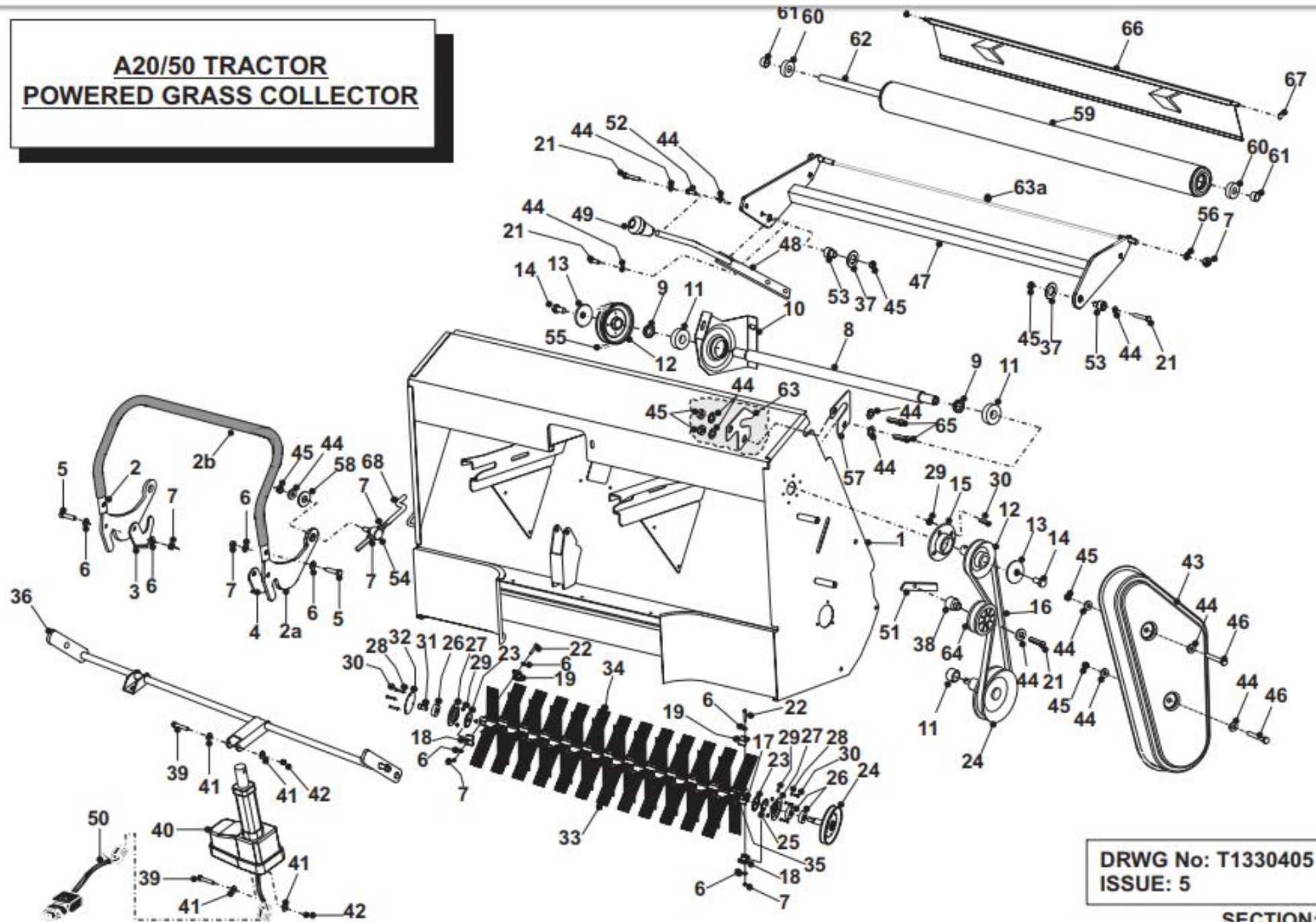


**A20/50 TRACTOR
POWERED GRASS COLLECTOR**



DRWG No: T1330405
ISSUE: 5

SECTION:14

	PART DESCRIPTION	PART NUMBER
1	PGC Body 2003 Welded Cross Shaft (from July 2003)	328955700
2	Sweeper Locking Handle Tube	178966300
2a	PGC Locking Handle Plate (from serial no. 0103..)	307024500
2b	Sweeper Black Grip 22" Lx 0.5 i.d x 0.2" (from serial no.0103...)	149496600
3	L/H PGC Lever Lock	30149800
4	R/H PGC Lever Lock	30150300
5	Bolt M6 x 25mm Plated	028002900
6	Washer 1/4" LP	08825600
7	Nut M6 Nyloc	04920500
8	Sweeper Idler Shaft	183009800
9	Spacer Idler Shaft	48306200
10	PGC Shaft Carrier	301043800
11	Bearing	10811600
12	3" Pulley (Non Keyed)	32727600
13	Dome Washer 1.3/4" o.d. x 3/4" x 1/8" dome	08819900
14	Bolt M10 x 20mm	02800300
15	Bearing Housing 17mm	27106601
16	A38 Super 2 PGC Side Belt	22950300
17	PGC Sweeper Brush Stock	174004401
18	Brush Drive Moulding Large	14832900
19	Brush Drive Moulding Small	14834100
20	Bolt M8 x 20mm	02800300
21	Bolt M8 x 50mm	018001800
22	M6 x 45mm Hex Head BZP	018004000
23	Slinger	32121800
24	Sweeper Pulley & Shaft	327002600
25	Circlip (PGC Pulley & Shaft)	07914800
26	Bearing	10811600
27	Bearing Housing 17mm	27106601
28	M5 Washer	08911500
29	M5 Nyloc Nut	04885900
30	M5 x 16mm Pozi Pan Head Z/P	02940500
31	Brush Stock Spindle (Short)	31323900
32	Sweeper Bearing Cover	30117500
33	Sweeper Bristle Non Webbed	14898100

	PART DESCRIPTION	PART NUMBER
34	Sweeper Bristle Webbed	14936300
35	Bristle Boss	14833000
36	PGC Cross Shaft	327362200
37	Washer M8 x 25 x 3mm	089418600
38	Sweeper Jockey Spacer	31350400
39	Bolt M10 x 45mm	018005500
40	Lift Actuator	448002800
41	Washer M10	088002400
42	M10 Nyloc Nut	04886100
43	Plastic Pulley Cover	14848600
44	M8 Washer	08819501
45	M8 Nyloc Nut	04920100
46	Bolt M8 x 65mm	028662700
47	Roller Carrier 2003 (from serial no. 0103...)	327172401
48	Sweeper Roller Height Handle (from serial no 0103...)	327171800
49	Lever Knob	14804800
50	Net Emptying Actuator Loom	448004800
51	Bearing Shield	30121900
52	Bolt M8 x 45mm	02941000
53	Bonnet Pivot Boss	31306100
54	PGC Belt Tension Adjust. Trunnion	183003800
55	Belt A49	228001200
56	Washer 9/16"	08827800
57	PGC Outer Shaft Locking Plate	307191500
58	Nylon Washer	088002300
59	PGC Roller	327010600
60	Bearing	10811600
61	Sweeper Roller Tubular Spacer Z/P	174003600
62	Roller Internal Shaft	183010000
63	PGC Inner Shaft Locking Plate	307191400
63a	Roller Scraper Cable	528004301
64	Jockey Pulley	20811500
65	Bolt M8 x 25mm	02826000
66	Sweeper Flap Plate (from serial no. 0103...)	327012100
67	Capped Lock Washer	01823400
68	PGC Belt Tension Adjust. Rod	313003500