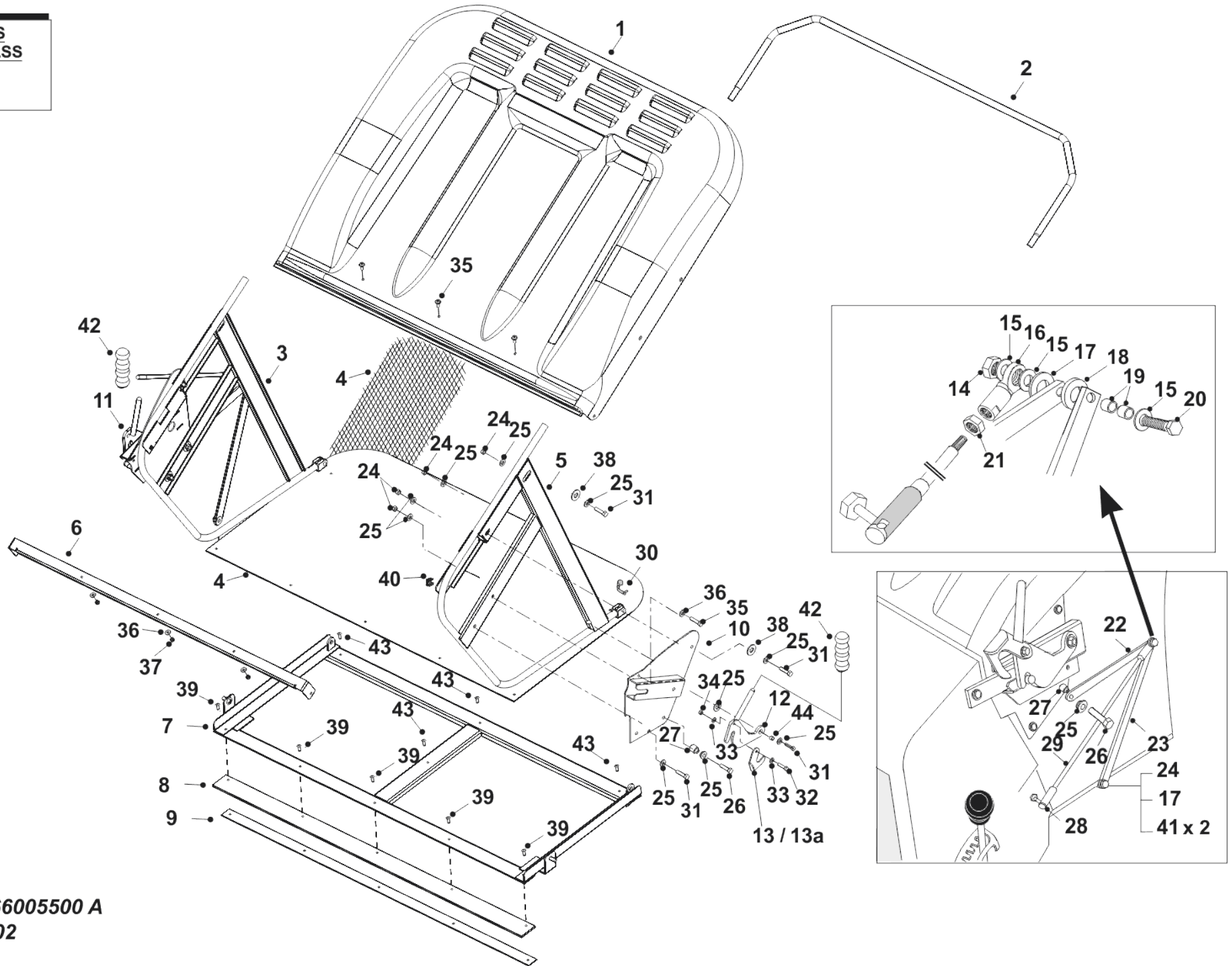


**A20/50 SERIES
POWERED GRASS
COLLECTOR
NET**



Parts List No. 366005500 A
Part No. 40100002
2010

A/D/K SERIES HE PGC NET (ELECTRIC) FROM 2010

1	148015501	A SERIES PLASTIC PGC LID
2	174504800	A20/50 NET BACK TUBE
3	327872500	A20/50 NET SIDE FRAME WELD ASSY R/H
4	148988300	NEW PART NO: 408801100 A, V & D50-LN NET, FLOOR & P CLIP TRIM (THE NET IS CONNECTED TO THE BASE)
5	327872400	A20/50 NET SIDE FRAME WELD ASSY L/H
6	541014900	A20/50 NET LID STIFFENER
7	327851700	A20/50 NET FLOOR WELDED ASSY
8	148004400	20/50 PGC RUBBER
9	301045400	20/50 PGC RUBBER FIXING STRIP
10	328956401	20/50 PGC LH BAG EAR WELDED ASSY 2003
11	328956501	20/50 PGC RH BAG EAR WELDED ASSEMBLY 2003
12	541124500	SWEEPER LOCKING HANDLE
13	30149800	PGC LEVER LOCK L/H
13a	30150300	PGC LEVER LOCK R/H
14	04886100	M10 NYLOC NUT
15	088002400	WASHER 10.8ID X 20.7OD X 2MM THK
16	10872600	10MM ROD END
17	088003600	WASHER - M12 X 24 X 1.6
18	14850500	NYLON WASHER
19	31302900	NEW PART NO: 183016900 TRACK ROD SPACER
20	018005500	M10 X 45 BOLT BZP
21	04872100	M10 LOCKNUT
22	292001100	A20/50 PGC SHOT LINK ARM
23	292001200	A20/50 PGC LONG LINK ARM
24	04920100	M8 NYLOC NUT
25	088003700	WASHER - M8 x 21 x 1.6
26	02941000	BOLT M8 x 45mm (VAC)

27	31318800	20/50 PGC DE-CLUTCHING ARM 2002
28	183024900	QUICK RELEASE BALL JOINT
29	183010402	ADJUSTER LINK ROD
30	108000500	10MM SPRING PIN SHORT
31	02826000	BOLT M8 X 25mm
32	028002900	BOLT M6x25 PLATED
33	08827800	NEW PART NO: 08874300 WASHER 1/4
34	04920500	NUT M6 NYLOC
35	019479500	M5 X 16MM FLANG BUTT HD SCKT DRIVE SCREW
36	088002800	M5 WASHER FORM C O/D 12.5mm
37	04885900	M5 NYLOC NUT
38	31326100	P.T.O. BRIDGE SPACER H.E. TRACTOR
39	128000700	POP RIVET 4.8 X 20mm
40	049382600	M5 CAGE NUT 3MM MAT
41	183529500	C-SERIES DECK LIFT PIVOT SPACER
42	148991900	GRIP WITH FINGER GROOVES (16x6x85mm)
43	12824400	POP RIVET 5mm x 10mm
44	31302800	SPACER 7mm x 5/16id