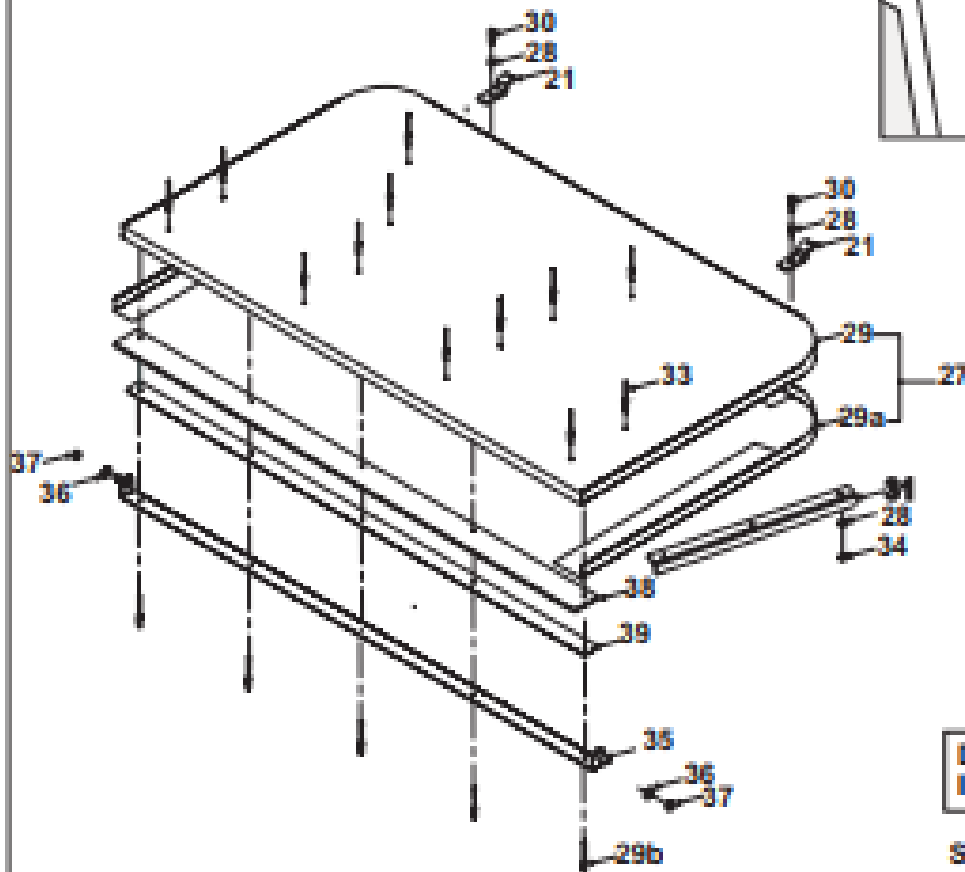
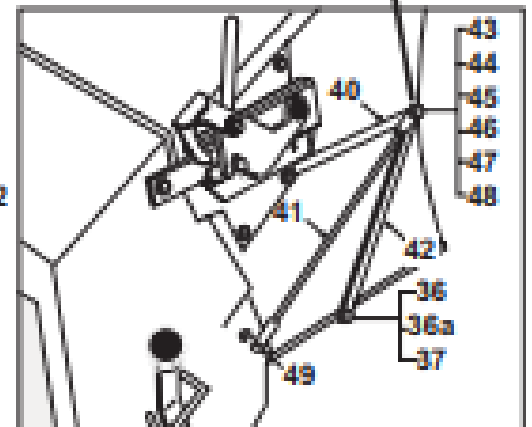
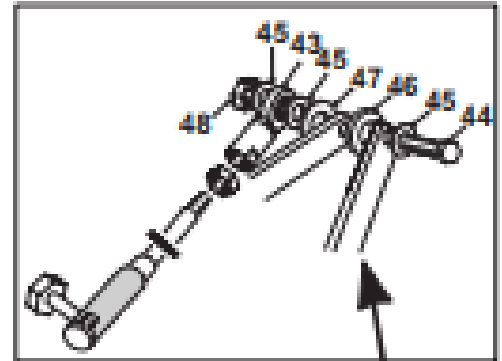
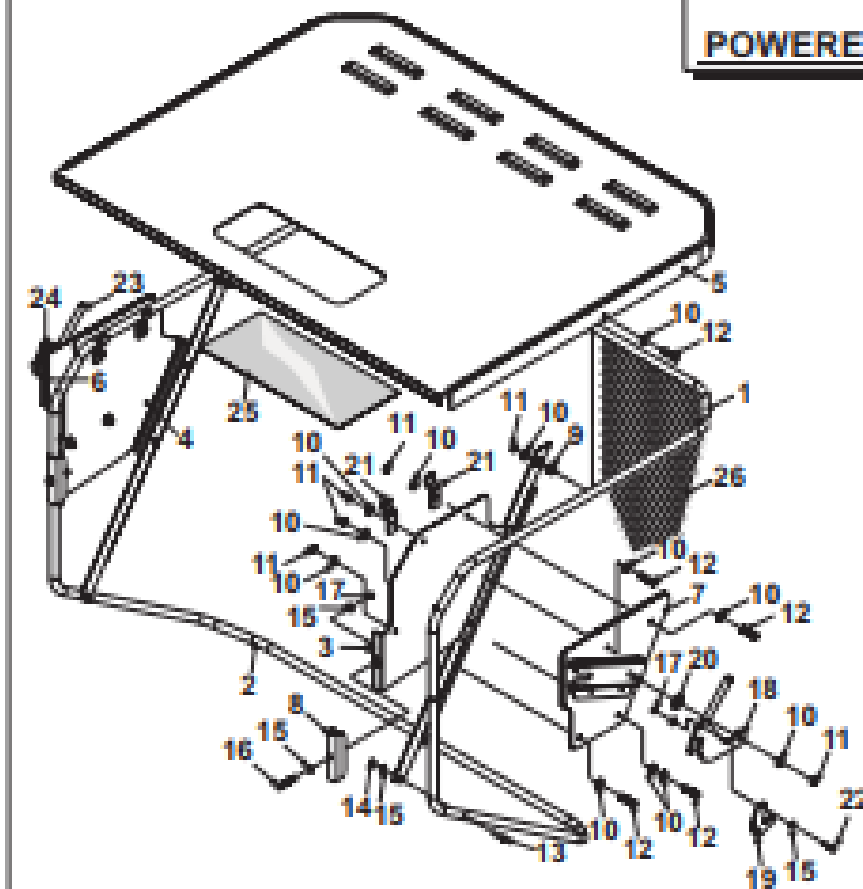


**A.D & K SERIES
POWERED GRASS COLLECTOR NET**



DRWG No: T1320005
ISSUE No: 5

SECTION:15A

	PART DESCRIPTION	PART NUMBER
1	20/50 Upper Bag Frame	178968500
2	20/50 PGC Lower Frame Tube 2000	178966600
3	2003 2050 PGC LH Goal Post	307193400
4	2003 2050 PGC RH Goal Post	307193500
5	Plastic Bag Lid	148015500
6	2003 2050 RH Bag Ear Welded	328956500
7	2003 2050 LH Bag Ear Welded	328956400
8	PGC Bag Clamping Plate	30149600
9	Tx Rear Bolt Spacer	18320600
10	M8 Washer	08819501
11	M8 Nyloc Nut	04850600
12	Bolt M8 x 25	028002900
13	Allen Screw M6 x 30mm	028000100
14	Nut M6 Nyloc	04920500
15	M6 Washer	088000300
16	M6 x 40 Hex Head Bolt Bright Zinc Plate	01803600
17	Nut M6 Nyloc	04920500
18	Sweeper Lock Handle L/H	27707701
19	L/H PGC Lever Lock	30149800
20	Nylon Washer	14850500
21	Bag Floor Clamp	301008400
22	Bolt M6 x 25 Plated	028002900
23	Sweeper Lock Handle R/H	27707801
24	R/H PGC Lever Lock	30150300
25	Quick Release Ball Joint c/w Ball Section	183010200
26	PGC Sweeper Collector Net 2003	388000202
27	Galvanised Floor & Trim	302015500
28	Spacer 7mm x 3/8"	31302900
29	Bolt M8 x 20mm	02825900
30	Bolt M6 x 20mm	018000300
31	Floor Support Bracket	302015600
32	Pivot Spacer 13mm	332112400
33	Rivet 4.8 x 16mm Alloy Pop	12860100
34	M10 Nyloc Nut	04886100
35	Washer 10.8 i.d. x 20.7 i.d x 2mm Thk	088002400
36	M10 Locknut	04872100
37	Bolt M8 x 45	02941000
38	PGC Rubber	148004400
39	PGC Rubber Fixing Strip	301045400
40	20/50 PGC Tipping Link Rod Upper	301122800
41	PGC Adjuster Link Rod	183010402

POWERED GRASS COLLECTOR NET 2004

42	20/50 PGC Tipping Link Arm Lower	301123000
43	10mm Rod End	10872600
44	M10 x 45 Bolt BZP	018005500
45	Washer 10.8 i.d. x 20.7 i.d. x 2mm	088002400
46	Pivot Spacer	31306100
47	Bolt M5 x 20mm	018000100
48	M5 Nyloc Nut	04885900
49	Washer M12 x 24 x 1.6mm	08803600