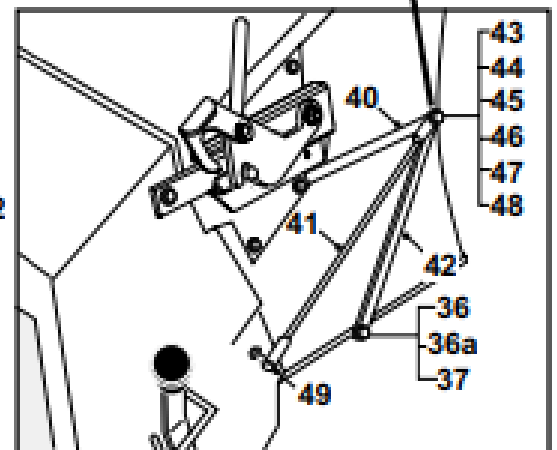
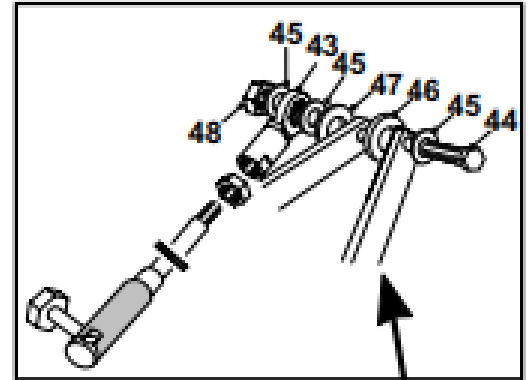
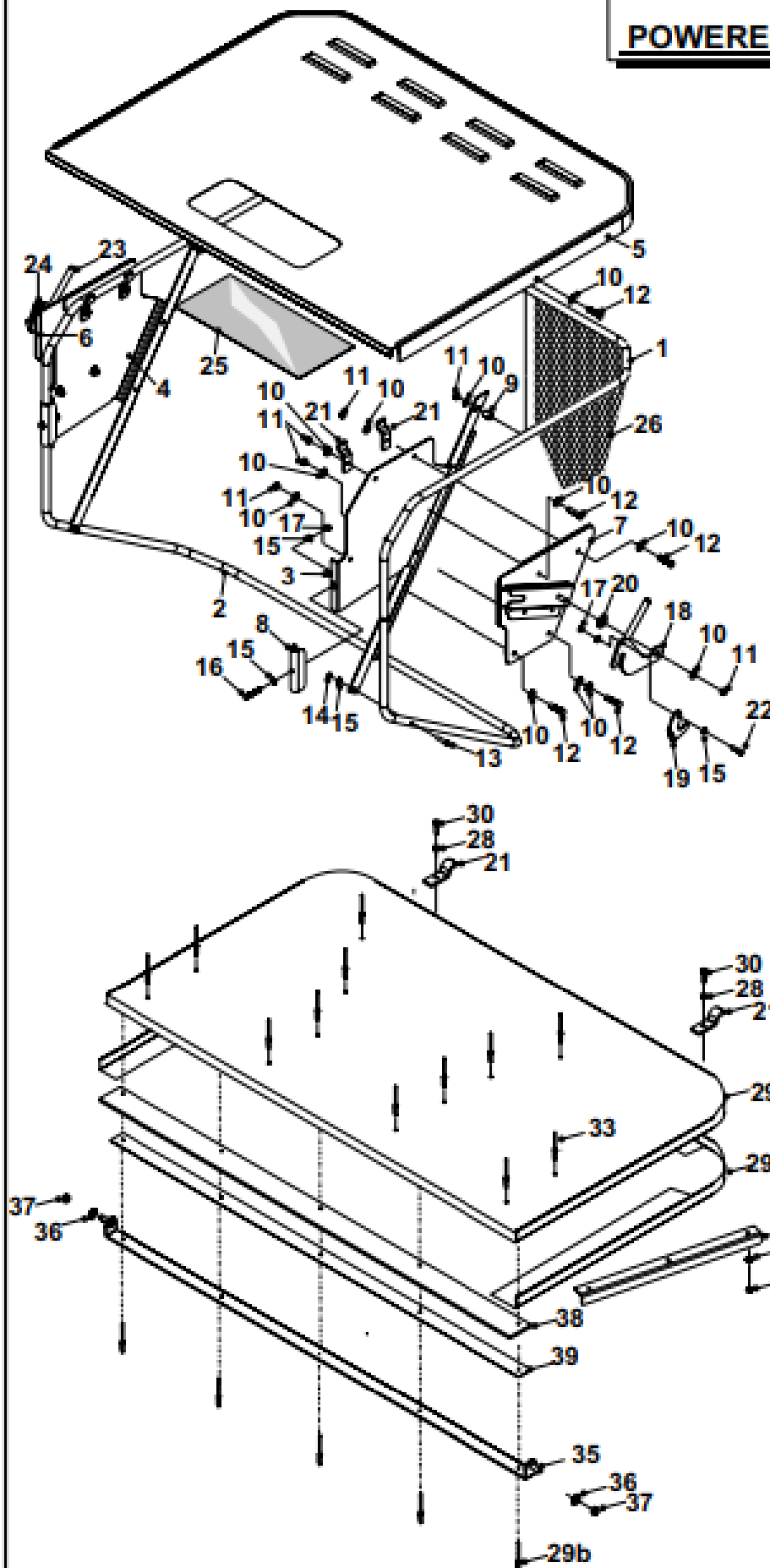


**A.D & K SERIES  
POWERED GRASS COLLECTOR NET**



DRWG No: T1320005  
ISSUE No: 5

SECTION:15

	PART DESCRIPTION	PART NUMBER
1	Upper Bag Frame	174004600
2	Lower Bag Frame	178966600
3	Goal Post L/H	301133600
4	Goal Post R/H	301133700
5	Collector Lid	327011700
6	Bag Ear R/H	327178100
7	Bag Ear L/H	327178000
8	Bag Frame Clamp	30149600
9	Spacer	183003300
10	Washer 5/16"	08819700
11	Nyloc Nut 5/16" UNF	04827500
12	Bolt 5/16" UNF x 1.1/4"	01820600
13	Allen Screw M6 x 30mm	028000100
14	Nyloc Nut M6	04920500
15	Washer 1/4"	08827800
16	Bolt 1/4" UNF x 1.1/2"	01820500
17	Nyloc Nut 1/4" UNF	04819400
18	Hand Lock Lever L/H	27707701
19	Locking Lug L/H	30149800
20	Nylon Washer 1" x 1/2" x 1.6g	08850500
21	Frame Tube Clamp	301008400
22	Bolt 1/4" UNF x 1"	01844700
23	Lock Lever R/H	27707801
24	Locking Log R/H	30150300
25	Window	14871500
26	Collector Net	388000200
27	Galvanised Floor	301045200
28	Washer 1/4"	08827800
29	Floor	307025400
29a	Floor Trim	307025100
29b	Steel Rivet 4.8 x 6	12949401
30	Bolt M6 x 20mm	018000300
31	Floor Support Angle	301046500
32	Nyloc Nut M6	04920500
33	Pop Rivet	12847900
35	Floor Support	327011100
36	Washer 5/16"	08819700
36a	Spacer 5/16"	18302700
37	Nyloc Nut M8	04850600
38	Floor Rubber	148004400
39	Rubber Fixing Strip	301045400
40	Link Arm Upper	301122800
41	Link Arm Support	183010402

**A & D SERIES POWERED GRASS COLLECTOR NET**

42	Link Arm Lower	301123000
43	Rod End 10mm	10872600
44	Bolt 3/8" x 1.3/4"	01857500
45	Washer 3/8" T3	08820100
46	Nylon Washer	08850500
47	Washer 3/8" x 7/8"	08822800
48	Nyloc Nut 3/8"	04820200
49	Ball End Shaft 10mm	183010200